

Deluxe Pet Door Installation Instructions

TOOLS REQUIRED FOR INSTALLATION

Scissors • Hammer and Awl (or Nail) • Drill and 3/8" Drill Bit • Sabre Saw
• Phillips Screwdriver • Safety Goggles

- 1. DETERMINE TEMPLATE PLACEMENT** - Using scissors, cut template (supplied in box) along dotted lines as indicated. Center template (width) in middle of door; tape in place. Position the top of the template 2" taller than your pet's shoulder.

Important: Under no circumstances should the bottom edge of the rough opening be less than 3" from the bottom edge of the wood door.

- 2. OUTLINE PET DOOR OPENING** - With template taped in place, use a pencil to draw around the inside edge of template onto door. Use a nail or awl to mark inside edge corner holes and outer hardware drill holes.

- 3. DRILLING HOLES** - Drill four 3/8" diameter individual holes (the inside edge corner locations will serve as a guide).
Next: Drill the four 3/8" diameter outer door hardware holes.

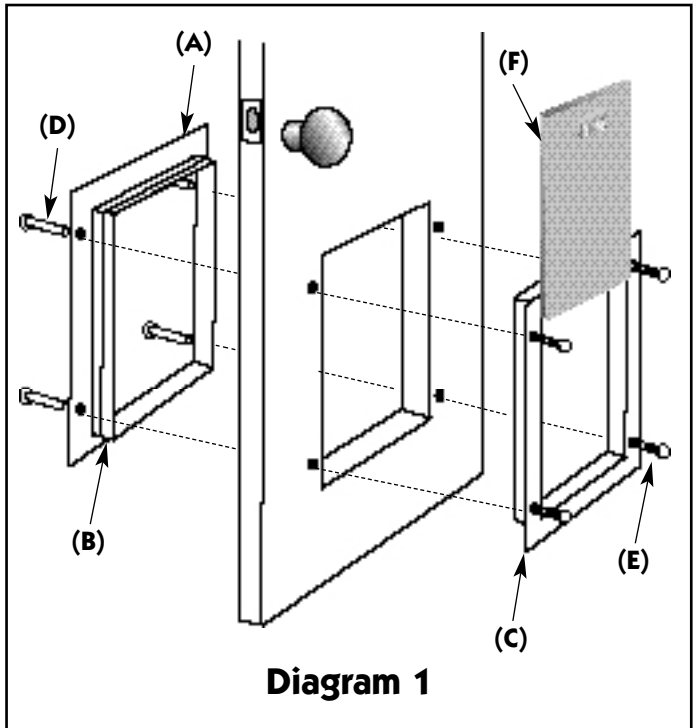
- 4. Cutting the opening** - Begin with one of the inside edge corner holes. **Next:** Using a sabre saw, carefully cut along the pencil line.

- 5. ASSEMBLY & ADJUSTMENT**
(See Diagram 1) -

Insert outside frame (A) (no flap) into opening from outside. Make certain frame is flush with door surface. No adjustment is necessary if frame does not extend beyond inside opening. If part of the outside frame extends into inside, remove "break-off" levels on outside frame (B) as required.

Use pliers to break off a single level at a time starting at top, bottom then sides. Start at corner and bend metal inward toward center in 2" intervals. Caulking is recommended under outside frame. Place inside frame (C) (with flap) into opening from inside of door, hold in place, insert binder posts (D) through outside frame, then install screws (E) and tighten until snug. **Do not over-tighten.** If screw extended past outer edge of post, remove screw, cut-off accordingly, then re-insert.

- 6. LOCKING YOUR PET DOOR** - Slide self-locking cover (F) into guide channels located on both sides of pet door opening.



NOTE: UNEVEN SURFACED DOORS:

If your door has an uneven surface, after cutting the rough opening, build up the lowest area with wood frame thick enough to make an even door surface. If both sides of your door are uneven, repeat the process for the other side.

Installation In Walls And Other Types Of Doors

The pet door can be installed in walls*, steel doors, storm doors and Bel Aire doors, however, additional materials such as wood framing, plaster, touch-up paint, longer frame screws and additional tools may be required.

- Walls:** Once an opening has been made in a wall it will be necessary to build a frame to cover the exposed area between wall surfaces. Use wood screws to attach interior and exterior frame to wall surfaces. When cutting through walls, extreme caution must be used so as not to cut any concealed electrical wires, gas lines or water pipes.
- Steel Doors:** To create an opening in a steel door use a jigsaw with a metal cutting blade to cut the opening starting at pre-drilled corner holes.
- Storm Doors or Bel Aire Doors 1/2" thickness or less:** Starting at any pre-drilled corner hole, cut out rough opening (use tin snips for storm doors.) Break off levels 1 & 2 (B) as required (See Diagram 1).

As with any home improvement project, if you do not have the tools or skills to properly install your pet door, we suggest using a professional handyman or licensed contractor.